



REGIONAL APPLICATIONS

THE MICHELIN® X® MULTI D TIRE 295

The versatile, all-season drive tire for regional and line haul operations.

Line Haul	Regional	Urban	On/Off Road
<input checked="" type="checkbox"/>	<input checked="" type="checkbox"/>	<input type="checkbox"/>	<input type="checkbox"/>

Recommended Acceptable



**ENHANCED
TREAD LIFE**

**CASING
DURABILITY**

**MAXIMIZED
FUEL
EFFICIENCY**

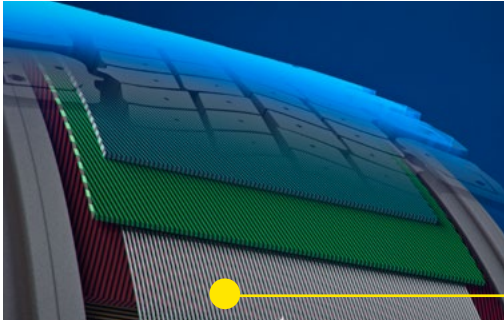


(1) 3PMSF (3 Peak Mountain Snow Flake) is from European R117 regulation. It has no regulatory Truck Tire reference in N.A. The tire must score at least 25% better in deep snow traction than the Standard Reference Test Tire on an ECE certified ISO test procedure. 3PMSF always appears with "M+S" mark.



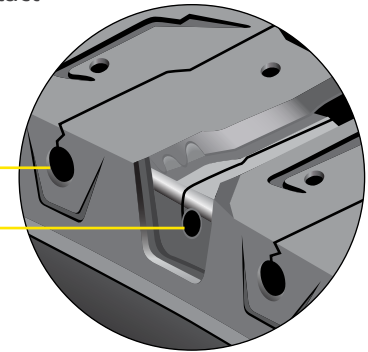
ENHANCED TREAD LIFE

- 20% better tread life than the MICHELIN® X® Multiway XD tire.
- Regenerating tread design provides traction throughout life.
- Infini-Coil™ Belt Technology optimizes the shape of the contact patch for longer tread life.



Infini-Coil™ Belt Technology

Regenerating Tread Design



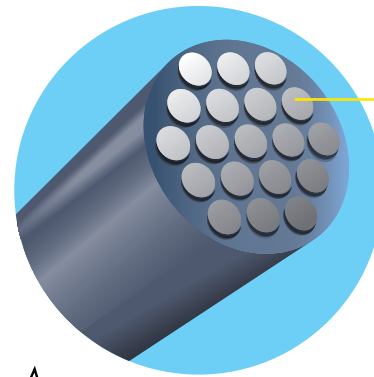
MAXIMIZED FUEL EFFICIENCY

- 26% improvement in rolling resistance compared to the MICHELIN® X® Multiway XD tire.
- New Generation tread rubber compound enables a reduction on Tread Depth without sacrificing mileage performance.



CASING DURABILITY

- Infini-Coil™ Belt Technology strengthens the crown against shocks and impacts with over a ¼ mile of steel cables.
- Powercoil Technology creates a lighter, more robust casing cable with increased endurance.



Powercoil Technology

Line Haul	Regional	Urban	On/Off Road
<input checked="" type="checkbox"/>	<input checked="" type="checkbox"/>	<input type="checkbox"/>	<input type="checkbox"/>
Recommended	Acceptable		



DIRECTIONAL TIRE (2)
(For 1st Half of Life)



Size	Load Range	Catalog Number	Tread Depth	Max. Speed (*)	Loaded Radius		Overall Diameter		Overall Width (‡)		Approved Wheels (**) (Measuring wheel listed first.)	Min. Dual Spacing (‡)		Revs Per Mile	Max. Load and Pressure Single				Max. Load and Pressure Dual			
			32nds	mph	in.	mm	in.	mm	in.	mm		in	mm		lbs.	psi	kg.	kPa	lbs.	psi	kg.	kPa
295/60R22.5	J	20735	21	75	17.0	432	36.5	928	11.8	300	9.00, 9.75	13.3	339	568	7390	130	3350	900	6780	130	3075	900

Note: Wheel listed first is the measuring wheel.

(1) 3PMSF (3 Peak Mountain Snow Flake) is from European R117 regulation. It has no regulatory Truck Tire reference in N.A. The tire must score at least 25% better in deep snow traction than the Standard Reference Test Tire on an ECE certified ISO test procedure. 3PMSF always appears with "M+S" mark.

(2) Directional tread design (For 1st Half of Life).

(*) Exceeding the lawful speed limit is neither recommended nor endorsed.

(**) Not approved for use with an 8.25 wheel.

(‡) Overall width will change 0.1 inch (2.5 mm) for each 1/4 inch change in wheel width. Minimum dual spacing should be adjusted accordingly.

MICHELIN® tires and tubes are subject to a continuous development program. Michelin North America, Inc. reserves the right to change product specifications at any time without notice or obligations.

MNA, Inc. continually updates its product information to reflect any changes in Industry Standards. Printed material may not reflect the current Load and Inflation information. Please visit www.michelintruck.com for the latest product information. The actual load and inflation pressure used must not exceed the wheel manufacturer's maximum conditions. Never exceed a wheel manufacturer's limits without permission from the component manufacturer.

TO FIND OUT MORE
michelintruck.com

FIND US ON FACEBOOK
michelintruck.com

CONTACT US BY EMAIL
michelintruck.com/contact-us/

CONTACT US BY TELEPHONE
1-888-622-2306